

the tom  editions



"New space, new work, new  
tool"

DESIGN BY HUGUES MARTINEAU

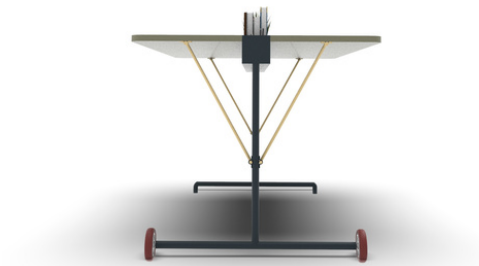
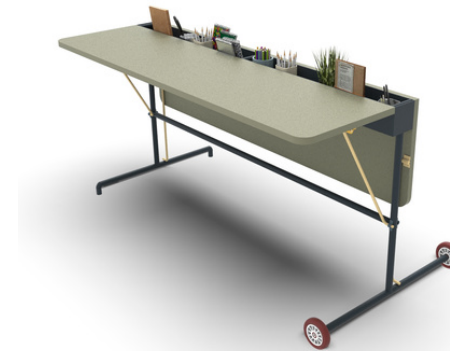
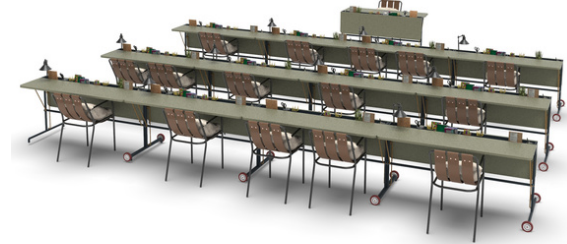


"The New Frida desk , design thinking furniture to answer to new workspaces . Folding wood panels, middle metal gutter for accessories and top access connections, roller wheel for easy space mobility "

TOM TEAM







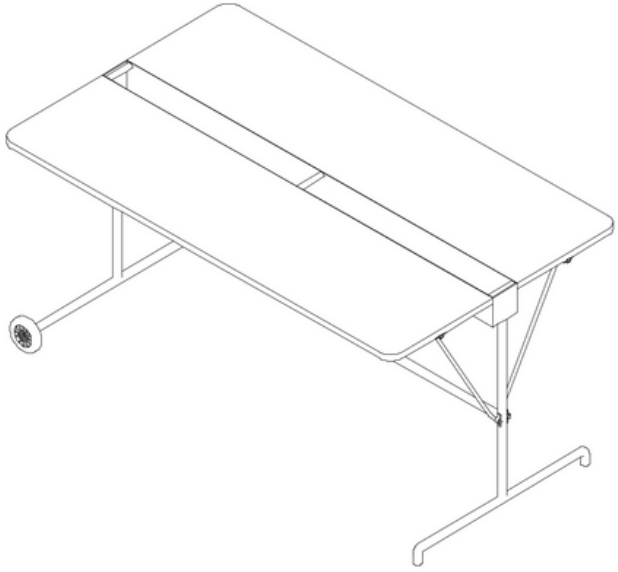
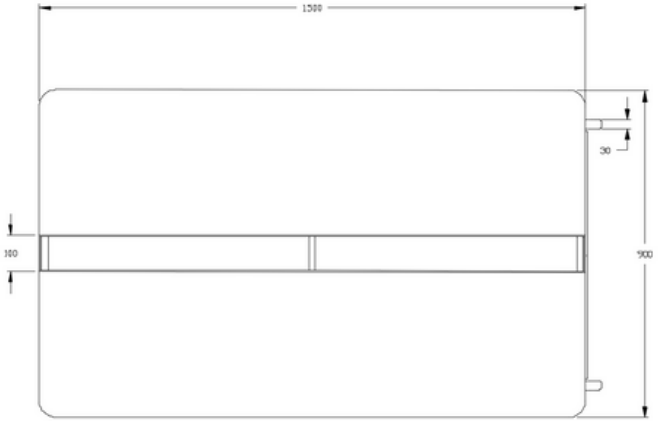
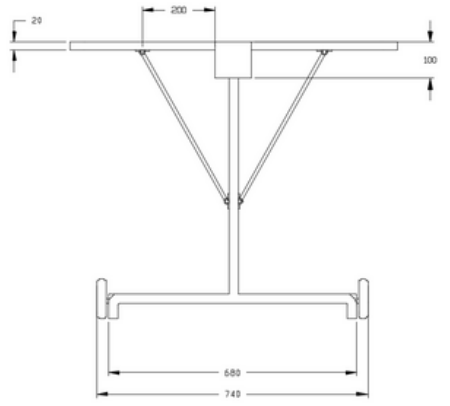


"Fitting all spaces, home office to contract business , hundred of versions and bespoke solution , a mood for tool "

TOM TEAM







the tom  editions

TOM EDITIONS  
32 KING EDWARDS ROAD  
HA4 7AE LONDON

[infos@thetomeditions.com](mailto:infos@thetomeditions.com)